

DS-2CD2025FWD-I 2 MP Ultra-Low Light Network Bullet Camera



Key Features

- Up to 2 megapixel high resolution
- Max. 1920 × 1080 @30fps
- 2.8 mm/4 mm/6 mm/8 mm/12 mm fixed lens, optional
- Ultra-low light
- H.265, H.265+, H.264+, H.264
- 120dB Wide Dynamic Range
- 3D Digital Noise Reduction
- 12 VDC & PoE (802.3af)
- IR range: up to 30 m
- Support on-board storage, up to 128 GB
- IP67



Specification

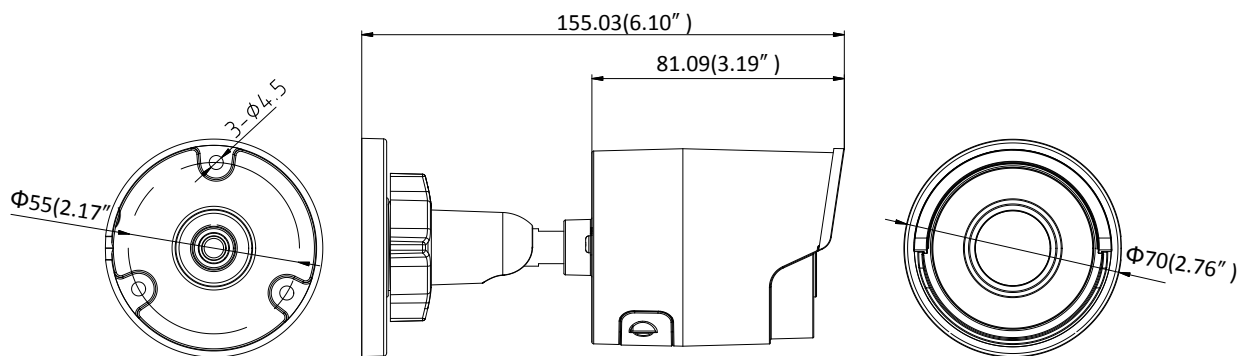
| Camera | |
|-----------------------------|---|
| Image Sensor | 1/2.8" Progressive Scan CMOS |
| Min. Illumination | Color: 0.005 lux @(F1.2, AGC ON), 0 lux with IR |
| Shutter Speed | 1/3 s to 1/100,000 s |
| Slow Shutter | Support |
| Lens | 2.8 mm, horizontal field of view: 108° 4 mm, horizontal field of view: 86.4° 6 mm, horizontal field of view: 52° 8 mm, horizontal field of view: 40° 12 mm, horizontal field of view: 25° |
| Lens Mount | M12 |
| Iris | F1.6 |
| Day & Night | IR cut filter |
| DNR | 3D DNR |
| Wide Dynamic Range | 120dB |
| 3-Axis Adjustment (bracket) | Pan: 0° to 360°, tilt: 0° to 90°, rotate: 0° to 360° |
| Compression Standard | |
| Video Compression | Main stream: H.265/H.264 Sub stream: H.265/H.264/MJPEG Third stream: H.265/H.264 |
| H.264 Type | Main Profile/High Profile |
| H.264+ | Support |
| H.265 Type | Main Profile |
| H.265+ | Support |
| Video Bit Rate | 32 Kbps to 16 Mbps |
| Image | |
| Max. Resolution | 1920 × 1080 |
| Main Stream | 50Hz: 25fps (1920 × 1080, 1280 × 960, 1280×720) 60Hz: 30fps (1920 × 1080, 1280 × 960, 1280×720) |
| Sub Stream | 50Hz: 25fps (640 × 360, 352 × 288) 60Hz: 30fps (640 × 360, 352 × 240) |
| Third Stream | 50Hz: 25fps (1920 × 1080, 1280×720, 640 × 360, 352 × 288) 60Hz: 30fps (1920 × 1080, 1280×720, 640 × 360, 352 × 240) |
| Image Enhancement | BLC/3D DNR |
| Image Settings | Support rotate mode. Brightness, contrast, saturation, and sharpness are adjustable via web browser and client software |
| ROI (Region of Interest) | Support 1 fixed region for mainstream and sub stream separately |
| Day/Night Switch | Auto/Scheduled |
| Network | |
| Network Storage | Support microSD/SDHC/SDXC card (128G) local storage, NAS (NFS,SMB/CIFS), ANR |
| Alarm Trigger | Motion Detection, Tampering Alarm, Network Disconnected, IP Address Conflict, Illegal Login, HDD full, HDD error |
| Protocols | TCP/IP, UDP, ICMP, HTTP, HTTPS, FTP, DHCP, DNS, DDNS, RTP, RTSP, RTCP, PPPoE, NTP, UPnP, SMTP, SNMP, IGMP, 802.1X, QoS, IPv6 |
| Standard | ONVIF (PROFILE S, PROFILE G), PSIA, CGI, ISAPI |

| | |
|------------------------------|--|
| General Function | One-key Reset, Anti-Flicker, Heartbeat, Mirror, Password Protection, Privacy Mask, Watermark, IP Address Filter |
| Interface | |
| Communication Interface | 1 RJ45 10M/100M self-adaptive Ethernet port |
| On-board Storage | Built-in microSD/SDHC/SDXC slot, up to 128 GB |
| Smart Feature-set | |
| Behavior Analysis | Line crossing detection, intrusion detection, unattended baggage detection, object removal detection |
| Line Crossing Detection | Cross a pre-defined virtual line, up to 1 pre-defined virtual lines supported |
| Intrusion Detection | Enter and loiter in a pre-defined virtual region, up to 1 pre-defined virtual regions supported |
| Object Removal Detection | Objects removed from the pre-defined region, such as the exhibits on display. |
| Unattended Baggage Detection | Objects left over in the pre-defined region such as the baggage, purse, dangerous materials |
| Face Detection | Human face appears in the image can be detected and trigger linkage method |
| General | |
| Operating Conditions | -30 °C to +60 °C (-22 °F to +140 °F), Humidity 95% or less (non-condensing) |
| Power | 12 VDC ± 25%, 5W PoE(802.3af, class 3), 6.5W |
| IR Range | Up to 30 m |
| Protection Level | IP67 |
| Dimensions | Camera: $\Phi 70 \times 155.03$ mm ($\Phi 2.76'' \times 6.1''$) Package: $216 \times 121 \times 118$ mm ($8.5'' \times 4.76'' \times 4.65''$) |
| Weight | Camera: 410 g (0.9 lb.) |

Available Models

DS-2CD2025FWD-I

Dimensions



Unit: mm

Accessories



DS-1280ZJ-XS
Junction Box

Distributed by



HIKVISION™

Headquarters

No.555 Qianmo Road, Binjiang District,
Hangzhou 310051, China
T +86-571-8807-5998
overseasbusiness@hikvision.com

Hikvision USA
T +1-909-895-0400
sales.usa@hikvision.com

Hikvision Italy
T +39-0438-6902
info.it@hikvision.com

Hikvision Singapore
T +65-6884-4718
sg@hikvision.com

Hikvision Africa
T +27 (0) 0351172
sale.africa@hikvision.com

Hikvision Europe
T +31-23-55-42-770
info.eu@hikvision.com

Hikvision France
T +33(0)1-85-330-450
info.fr@hikvision.com

Hikvision Oceania
T +61-2-8599-4233
salesau@hikvision.com

Hikvision Hong Kong
T +852-2151-1761

Hikvision Middle East
T +971-4-8816086
salesme@hikvision.com

Hikvision Spain
T +34-91-737-16-55
info.es@hikvision.com

Hikvision Canada
T +1-909-895-0400
sales.usa@hikvision.com

Hikvision Russia
T +7-495-669-67-99
sateru@hikvision.com

Hikvision Poland
T +48-22-460-01-50
poland@hikvision.com

Hikvision Korea
T +82-31-731-8841
sales.korea@hikvision.com

Hikvision India
T +91-22-28469900
sales@pramahikvision.com

Hikvision UK
T +01628-902140
support.uk@hikvision.com

Hikvision Brazil
T +55 11 3318-0050
Latam.support@hikvision.com